



Electrolux
PROFESSIONAL

**Modular Cooking Range Line
900XP 4-Eco Burner Gas Boiling
Top, 10 kW**

ITEM # _____

MODEL # _____

NAME # _____

SIS # _____

AIA # _____



391641 (E9AARAAOME)

* NOT TRANSLATED *

Main Features

- Unit to be mounted on open base cupboards, bridging supports or cantilever systems.
- The four 10 kW high efficiency burners are available in 100 mm diameter with continuous power regulation from 2.2 kW to 10 kW.
- Gas appliance supplied for use with natural or LPG gas, conversion jets supplied as standard.
- Large sized pan support in cast iron (stainless steel as option) with long center fins to allow the use of the largest down to the smallest pans.
- Burners with optimized combustion.
- Flame failure device on each burner protects against gas leakage when accidental extinguishing of the flame occurs.
- Protected pilot light.
- The special design of the control knob system guarantees against water infiltration.
- IPX5 water protection.
- Suitable for countertop installation.

Construction

- AISI 304 stainless steel worktop, 2mm thick.
- Unit is 930 mm deep to give a larger working surface area.
- All exterior panels in Stainless Steel with Scotch Brite finishing.
- Model has right-angled side edges to allow flush fitting joints between units, eliminating gaps and possible dirt traps.

Sustainability



- Model is supplied with EcoFlame pan detection system, which reduces energy consumption - up to 20%* in gas savings - and unnecessary heat dispersion in the kitchen. (* based on internal tests performed by professional chefs in comparison vs correspondent m

Optional Accessories

- Junction sealing kit PNC 206086
- Draught diverter with 150mm diameter PNC 206132
- Matching ring for flue condenser PNC 206133
- Support for bridge type system, 800mm PNC 206137
- Support for bridge type system, 1000mm PNC 206138
- Support for bridge type system, 1200mm PNC 206139
- Support for bridge type system, 1400mm PNC 206140

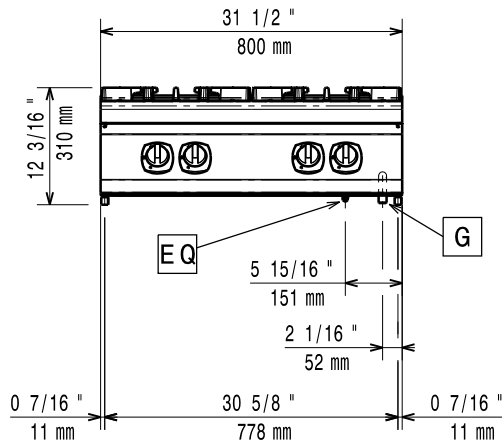
APPROVAL: _____



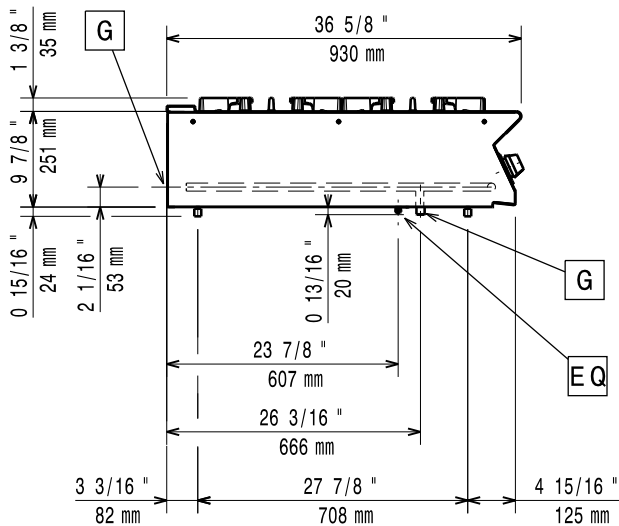
Experience the Excellence
www.electroluxprofessional.com

- Support for bridge type system, 1600mm PNC 206141
- Flue condenser for 1 module, 150 mm diameter PNC 206246
- Water column with swivel arm (water column extension not included) PNC 206289
- Water column extension for 900 line PNC 206290
- Chimney upstand, 800mm PNC 206304
- BACK HANDRAIL 800 MM - MARINE PNC 206308
- BACK HANDRAIL 1200 MM - MARINE PNC 206309
- Kit town gas nozzles (G150) for 900 gas boiling top PNC 206384
- - NOT TRANSLATED - PNC 206457
- Side handrail-right/left hand PNC 216044
- Frontal handrail 800mm PNC 216047
- Frontal handrail 1200mm PNC 216049
- Frontal handrail 1600mm PNC 216050
- Large handrail - portioning shelf, 400mm PNC 216185
- Large handrail - portioning shelf, 800mm PNC 216186
- 2 side covering panels for top, d=900mm PNC 216278
- Pressure regulator for gas units PNC 927225

Front

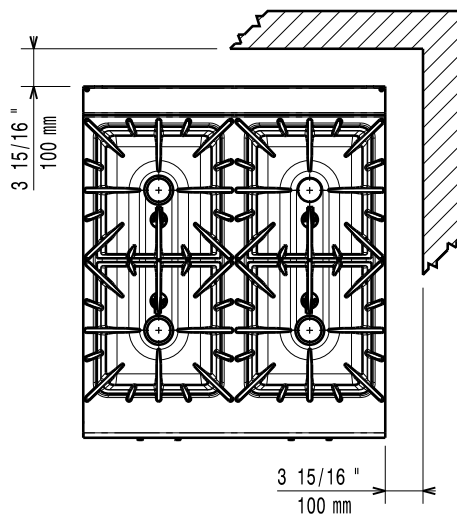


Side



G = Gas connection

Top



Gas

Gas Power:	40 kW
Standard gas delivery:	Natural Gas G20 (20mbar)
Gas Type Option:	LPG; Natural Gas
Gas Inlet:	1/2"

Key Information:

External dimensions, Width:	800 mm
External dimensions, Depth:	930 mm
External dimensions, Height:	250 mm
Net weight:	63 kg
Shipping weight:	75 kg
Shipping height:	530 mm
Shipping width:	1020 mm
Shipping depth:	870 mm
Shipping volume:	0.47 m ³

ISO 9001; ISO 14001 - ISO 9001; ISO 14001 kW

Front Burners Power:

Back Burners Power:

Certification group:

Back Burners Dimension - mm

Ø 100 Ø 100

Front Burners Dimension - mm

Ø 100 Ø 100

If appliance is set up or next to or against temperature sensitive furniture or similar, a safety gap of approximately 150 mm should be maintained or some form of heat insulation fitted.